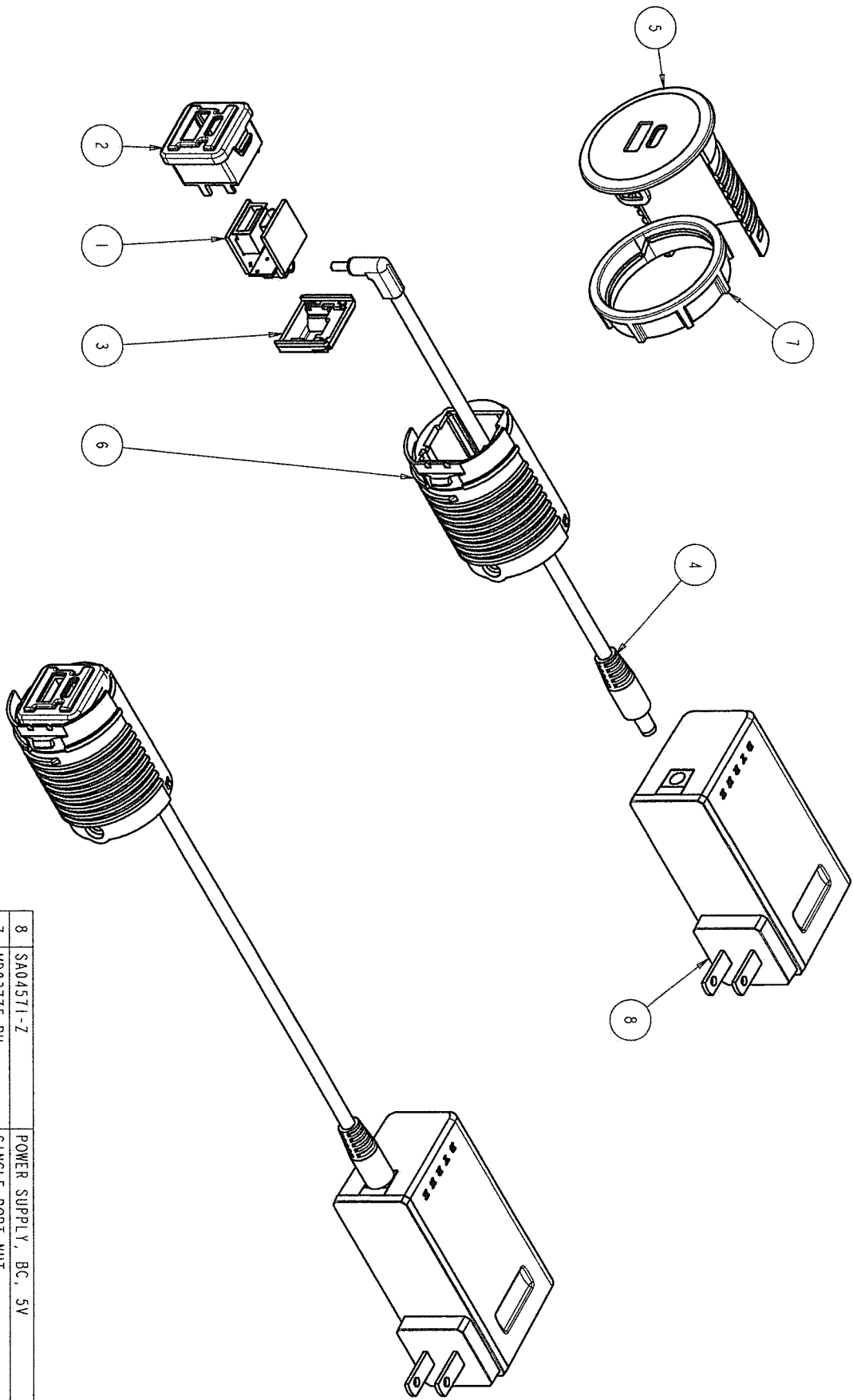


COMPANY BYRNE PART NO. 06900-SPU-Z-72 REV. A PRODUCT CODE FG PACKING X DATE 13-NOV-19 EJT APPR. BY SHT 1 OF 1 CHK'D BY Pro/E Model 06900-SPU-Z-XX



ITEM	PART NUMBER	DESCRIPTION	QTY
8	SA04571-Z	POWER SUPPLY, BC, 5V	1
7	MD03775-RU	SINGLE PORT NUT	1
6	MD03775-X C174	DEAN STYLE SALT/PEPPER BODY, PUSH-UP	1
5	MD06180-X	SINGL PRT GROMMET, A+C, FP STYLE	1
4	CD05862	BARREL TO BARREL CORD, 18W	1
3	MD06857-X	RETRO FIT A+C UNIVERSAL BACK	1
2	MD07290-X	SMOOTH SALT AC RETRO HOLDER	1
1	SA05842-100-01	OVAL GROMMET, USB - A+C	1
06900-SPU-Z-72		ASSEMBLY PART NUMBER	
		SMOOTH SALT A+C	
		DESCRIPTION	