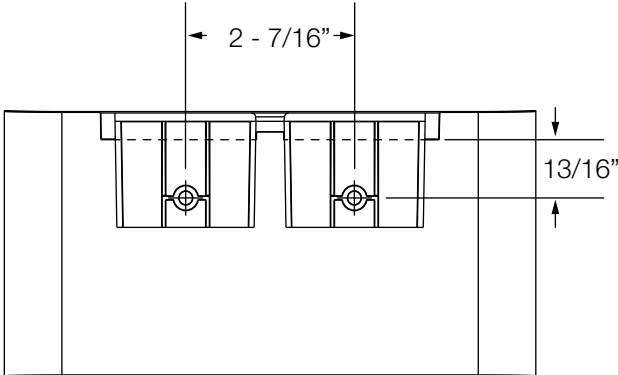


BYRNE™

INSTALLATION INSTRUCTIONS FOR TRIPPEL/DUBBEL SCREW MOUNT



NOTE: Screws not included
Holes for #8 screw

